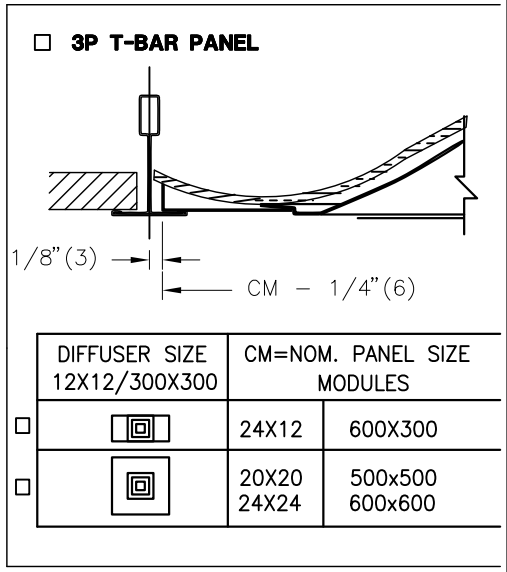
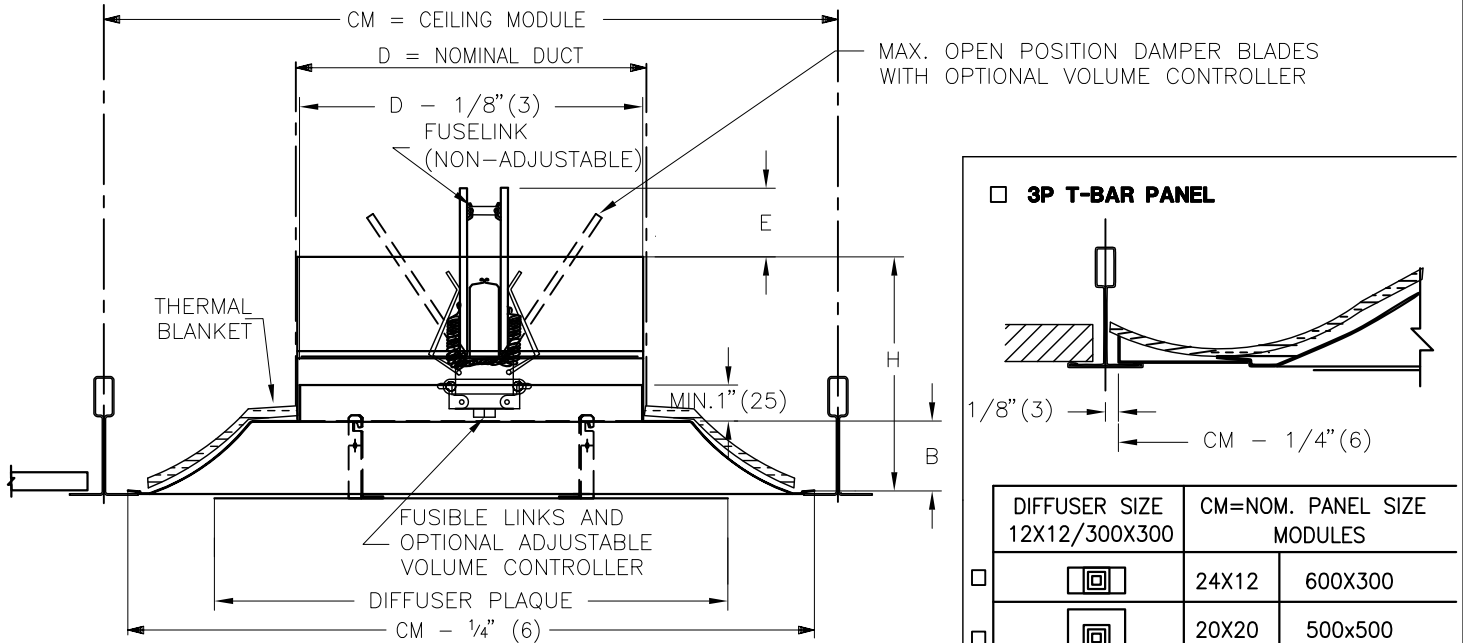


**SPD-FR SQUARE PLAQUE DIFFUSER FIRE RATED ASSEMBLY**



**IMPERIAL UNITS (Inches)**

CM	B	H	DUCT SIZE
<input type="checkbox"/> 24x24 (610x610)	2½ (64)	6 <sup>9</sup> / <sub>16</sub> (167)	6,8,10,12,14,15 (152,203,254,305,356,381)
<input type="checkbox"/> 20X20 (508X508)	2½ (64)	6 <sup>9</sup> / <sub>16</sub> (167)	6,8,10 (152,203,254)
<input type="checkbox"/> 12x12 (305X305)	1 <sup>1</sup> / <sub>8</sub> (29)	5 <sup>3</sup> / <sub>16</sub> (132)	5,6,7,8 (127,152,178,203)

**SI UNITS (mm)**

CM	B	H	DUCT SIZE
<input type="checkbox"/> 600x600	64	167	152,203,254,305,356,381
<input type="checkbox"/> 500x500	64	167	152,203,254
<input type="checkbox"/> 300x300	29	132	127,152,178,203

ROUND NECK	
NOM. DUCT	E
5 (127)	½ (13)
6 (152)	1 (25)
7 (178)	1½ (51)
8 (203)	2 (51)
10 (254)	3 (76)
12 (305)	4 (102)
14 (356)	5 (127)
15 (381)	5½ (140)

**MATERIAL:**

- STEEL CONSTRUCTION
- CEILING RADIATION DAMPER: GALVANIZED STEEL, BUTTERFLY TYPE
- THERMAL BLANKET: NON ASBESTOS

**FINISH:**

- B12 WHITE (OPTIONAL FINISHES AVAILABLE)

**OPTION:**

- ADJUSTABLE VOLUME CONTROLLER (ALLEN KEY)
- 165°F (74°C) FUSIBLE LINK (STANDARD)
- 212°F (100°C) FUSE LINK

**NOTE:**

- FIRE RATED 3 HOUR.
- UL CLASSIFIED FIRE RATED CEILING DIFFUSER ASSEMBLY LISTED IN UNDERWRITERS LABORATORIES FIRE RESISTANCE DIRECTORY.
- ULC CLASSIFIED FIRE RATED CEILING DIFFUSER LISTED IN UNDERWRITERS OF CANADA LIST OF EQUIPMENT AND MATERIALS.
- DUCT: STEEL OR FLEX DUCT CONNECTIONS (BY OTHERS) AS PER FIRE RATED DESIGN REQUIREMENTS.
- INSTALLATION INSTRUCTIONS: 228791 OR FOR PANEL SEE SUBMITTAL 233667
- FIRE RATED DIFFUSERS ARE TO BE INSTALLED IN FIRE RATED T-BAR APPLICATIONS ONLY.



ALL METRIC DIMENSIONS ( ) ARE SOFT CONVERTED. IMPERIAL DIMENSIONS ARE CONVERTED TO METRIC AND ROUNDED TO THE NEAREST MILLIMETER.

<b>PROJECT:</b>	<b>PRICE</b> <sup>®</sup>	
<b>ENGINEER:</b>	<i>MG</i>	<b>SPD-FR</b> SQUARE PLAQUE DIFFUSER FIRE RATED ASSEMBLY
<b>CUSTOMER:</b>	228721	
<b>SUBMITTAL DATE:</b> 2021-02-08	<b>SPEC. SYMBOL:</b> 2015/03/31	